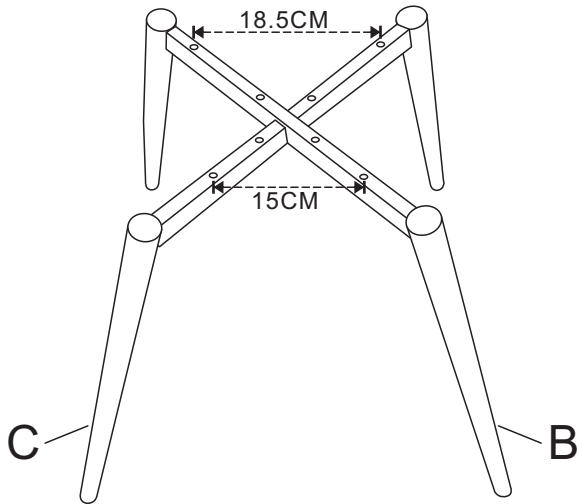
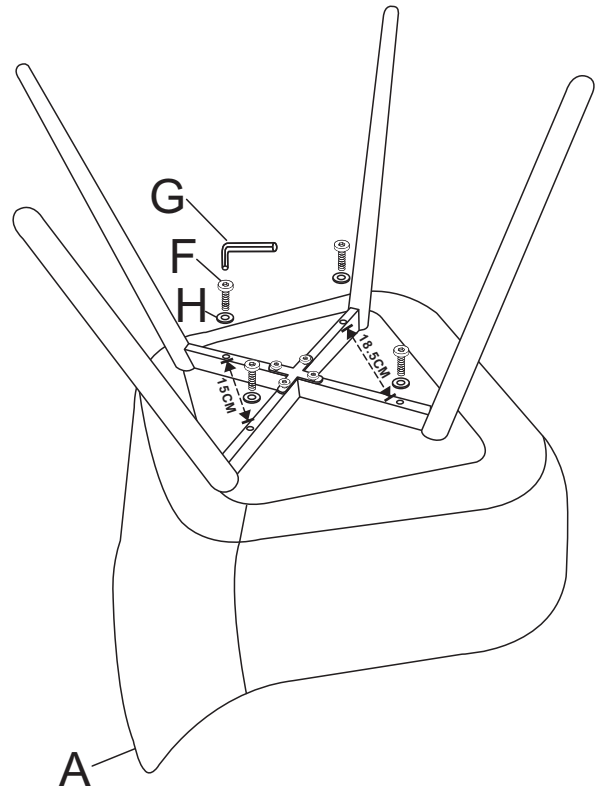


Ax1 	Bx1 	Cx1
Dx1 	Ex1 	Fx8
Gx1 	Hx4 	M6X40 M6X18

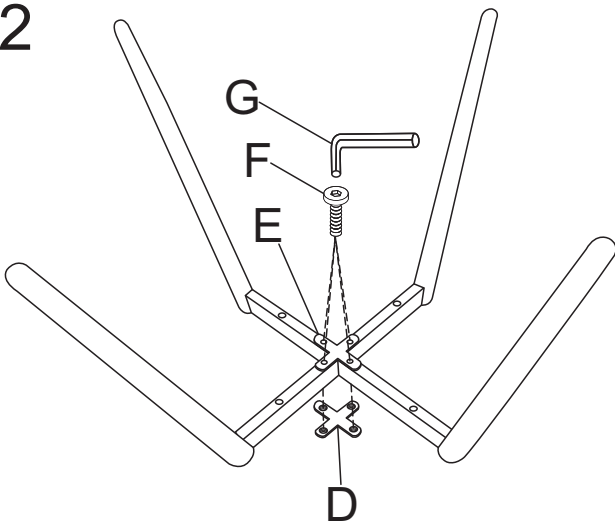
1



3



2



IN THIS STEP
DON'T TIGHTEN THE SCREWS 100%

AFTER FIX ALL THE SCREWS
PLEASE TIGHTEN THE SCREWS 100%